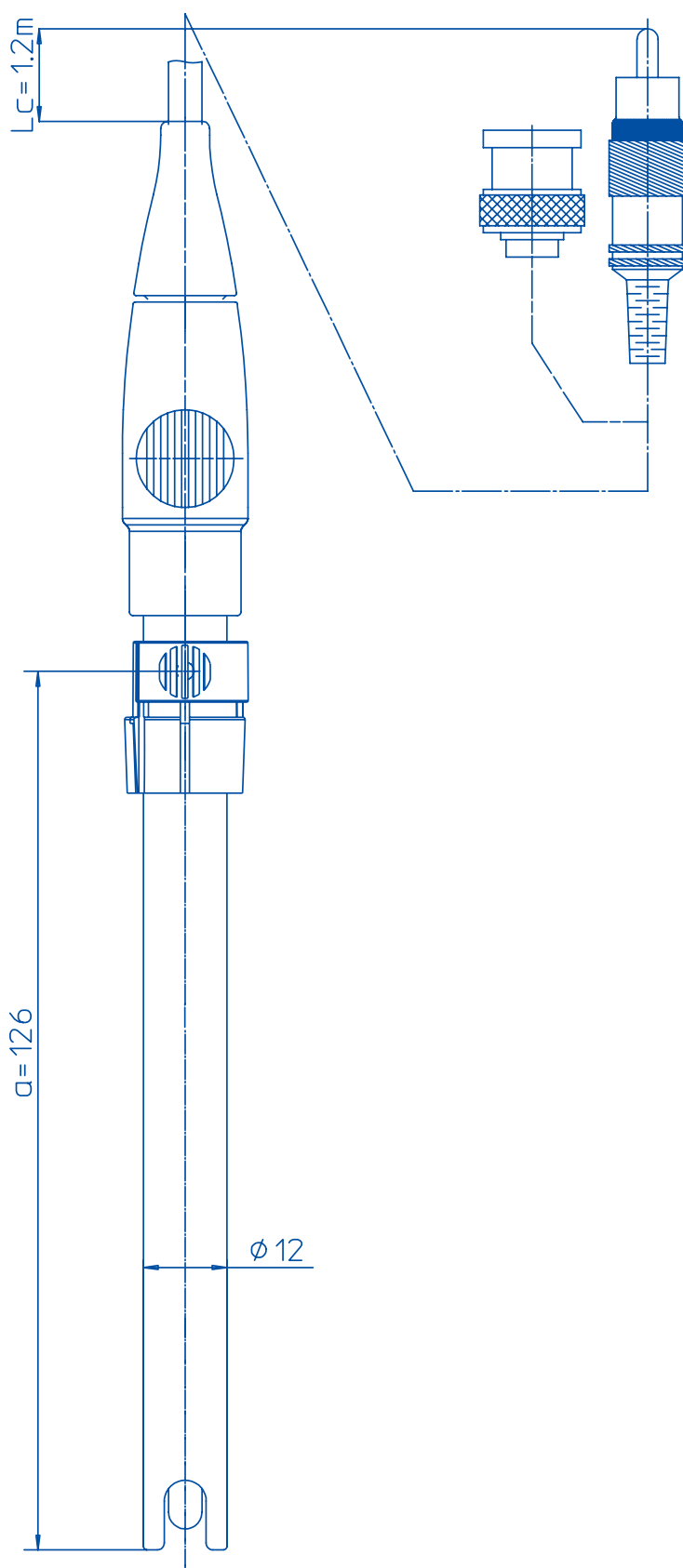


pH



**Order number** 51343031  
**former order number** -

**Specifications**  
**pH range** 0 - 14  
**zero point (pH)** 7.00 ± 0.25

**temperature range** 0 - 100 °C  
**temperature probe** NTC 30 kΩ

**shaft material** polysulfone  
**membrane glass** U  
**membrane resistance** < 250 MΩ

**reference system** ARGENTHAL™, Ag<sup>+</sup> trap  
**reference diaphragm** replaceable ceramic  
**reference electrolyte** 3 mol/L KCl

**bridge electrolyte** -

**electrode head** -  
**cable length** 1.2 m  
**connector** BNC / RCA (Cinch)

**cell constant (cm<sup>-1</sup>)** -  
**cell type** -

**indicating metal** -

**Storage** 3 mol/L KCl

**Special features**  
 refillable economy electrode  
 replaceable ceramic junction  
 - Tool 51340267  
 - Set of 10 junctions 51340268  
 ARGENTHAL™ reference system with Ag<sup>+</sup> trap  
 integrated temperature probe NTC 30 kΩ

Scale 1:1